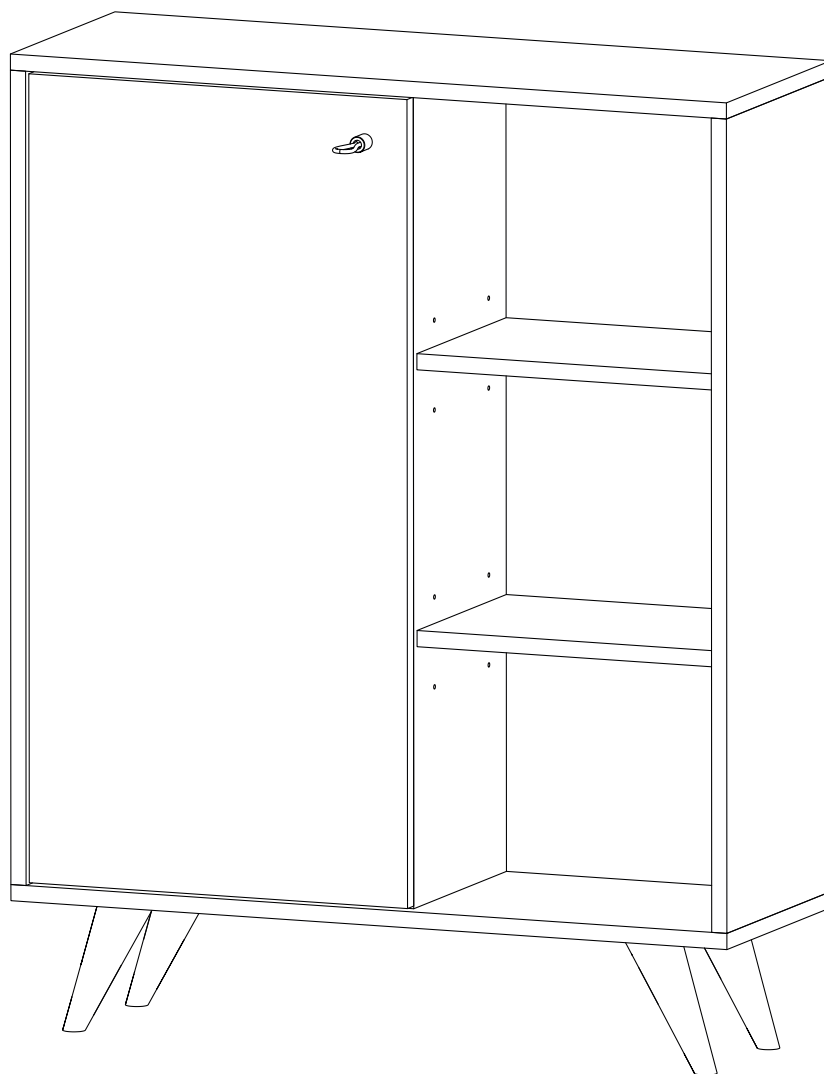
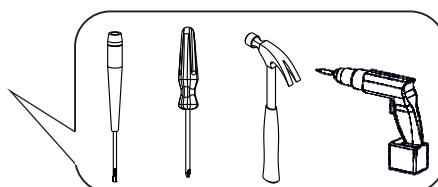
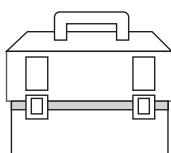
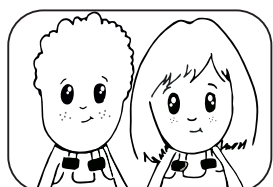


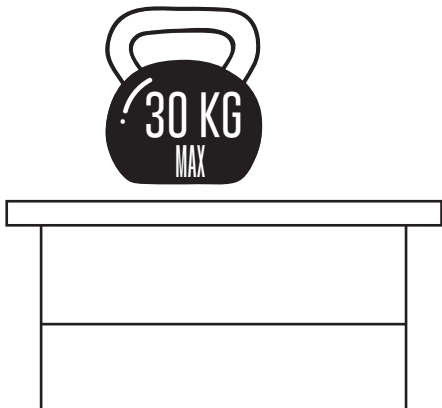
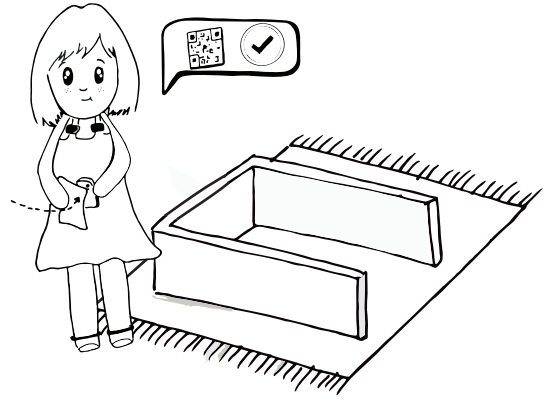
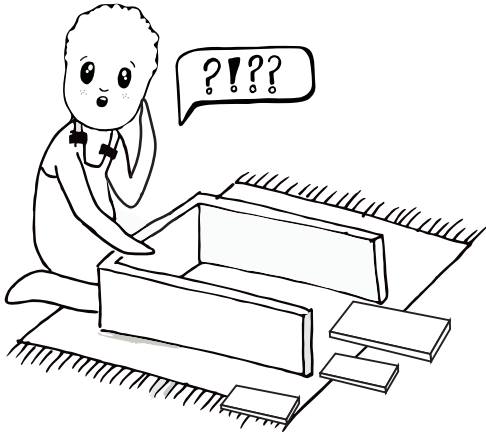
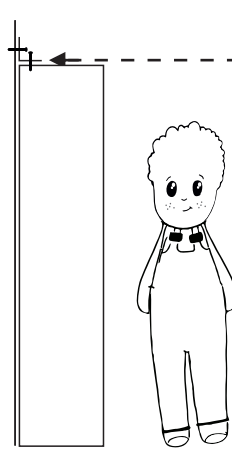
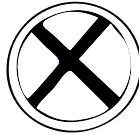
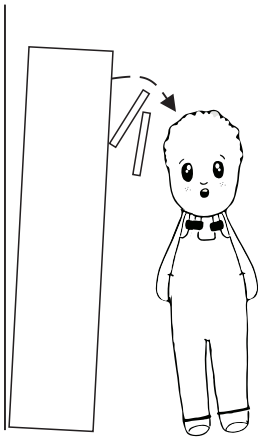
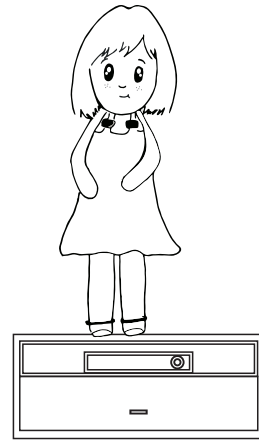
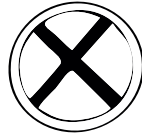
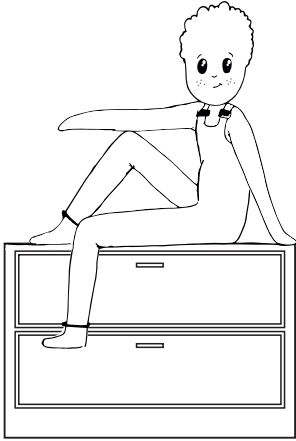
irmak dolap



MOYEN-MEDIUM
MITTEL-MEDIO



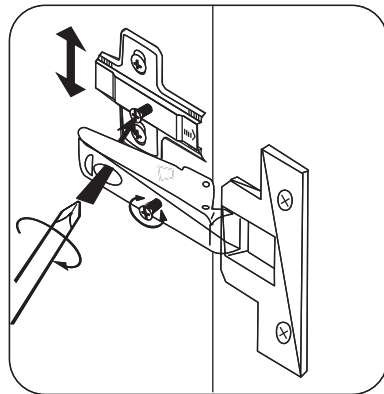
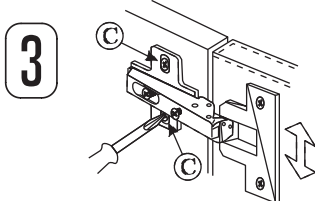
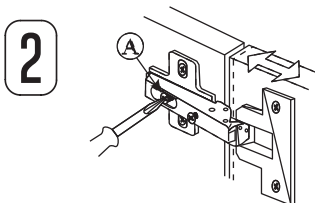
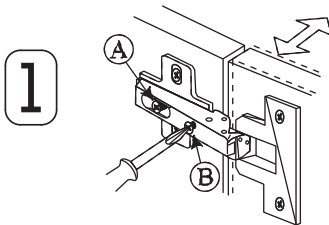
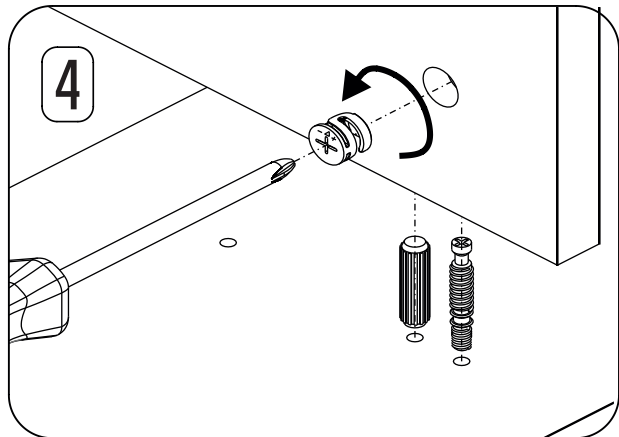
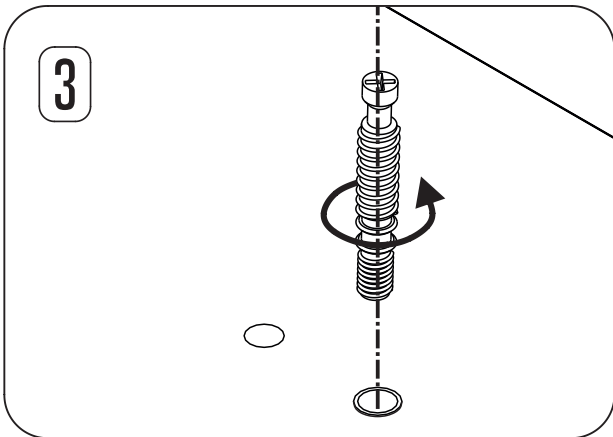
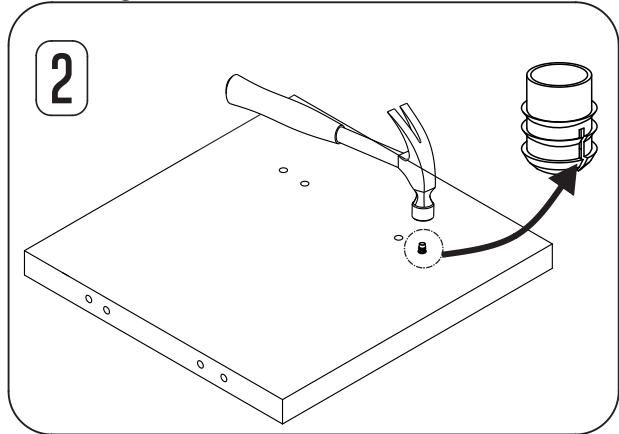
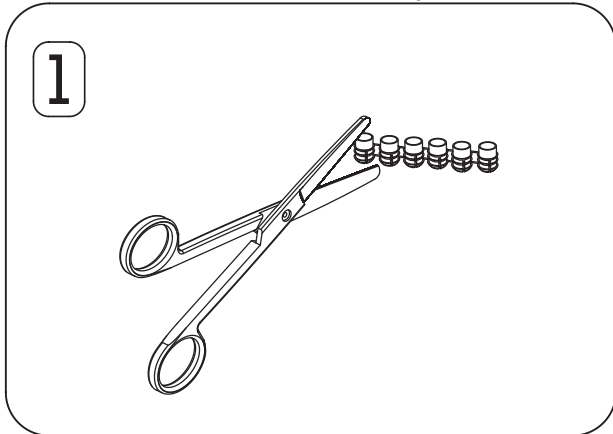
hey you!



PS: Clean only with a damp cloth.
NOT: Yalnızca nemli bir bezle temizleyiniz.

caution!

Minifix is the main connection material used in products. Before starting assembly, please check the drawings below.

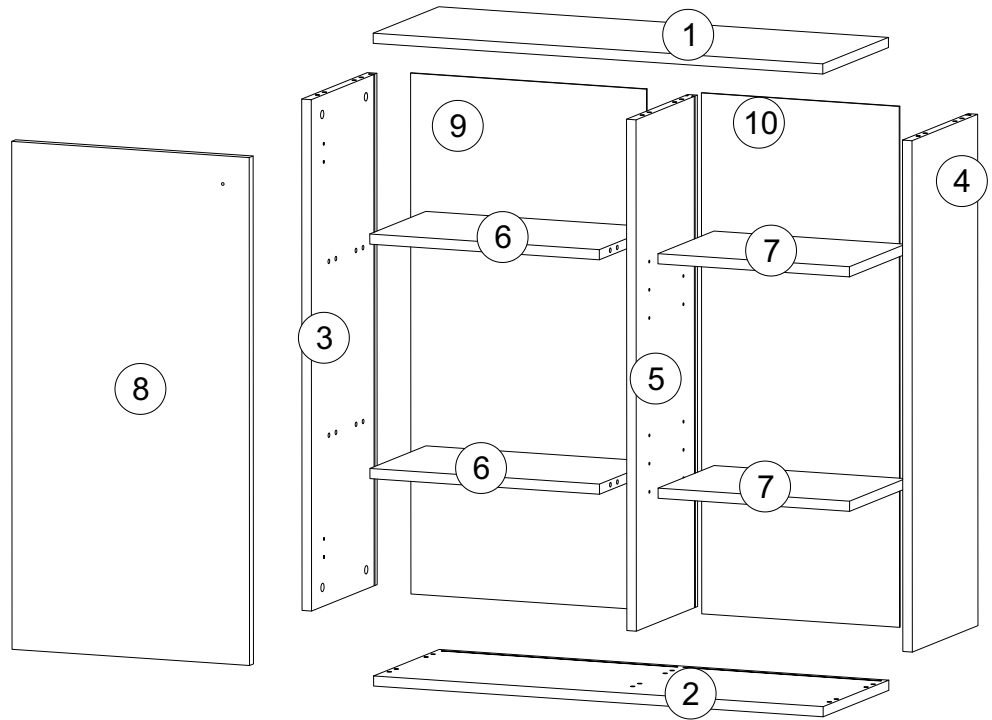
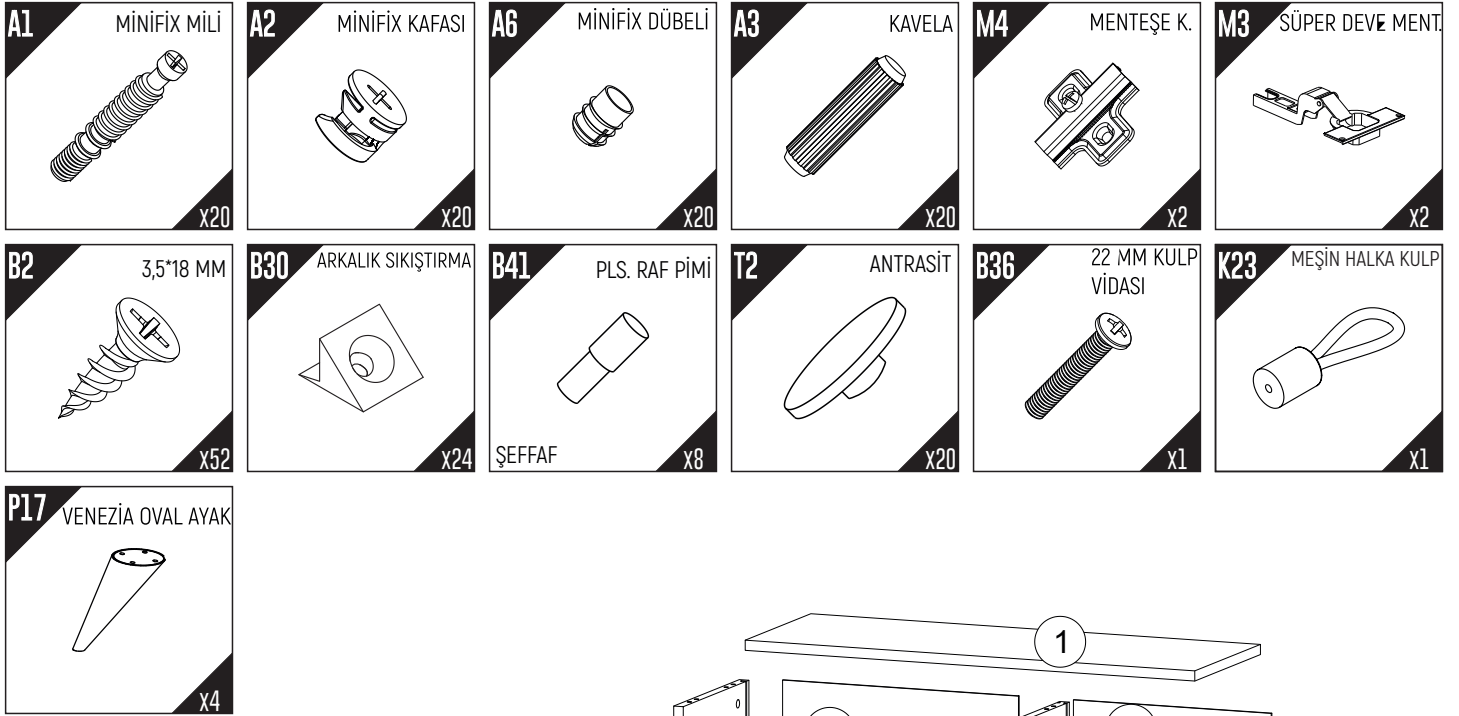


1) Side adjustment: Loosen fixing screw 'A', adjust gap with screw 'B' and retighten screw 'A'.

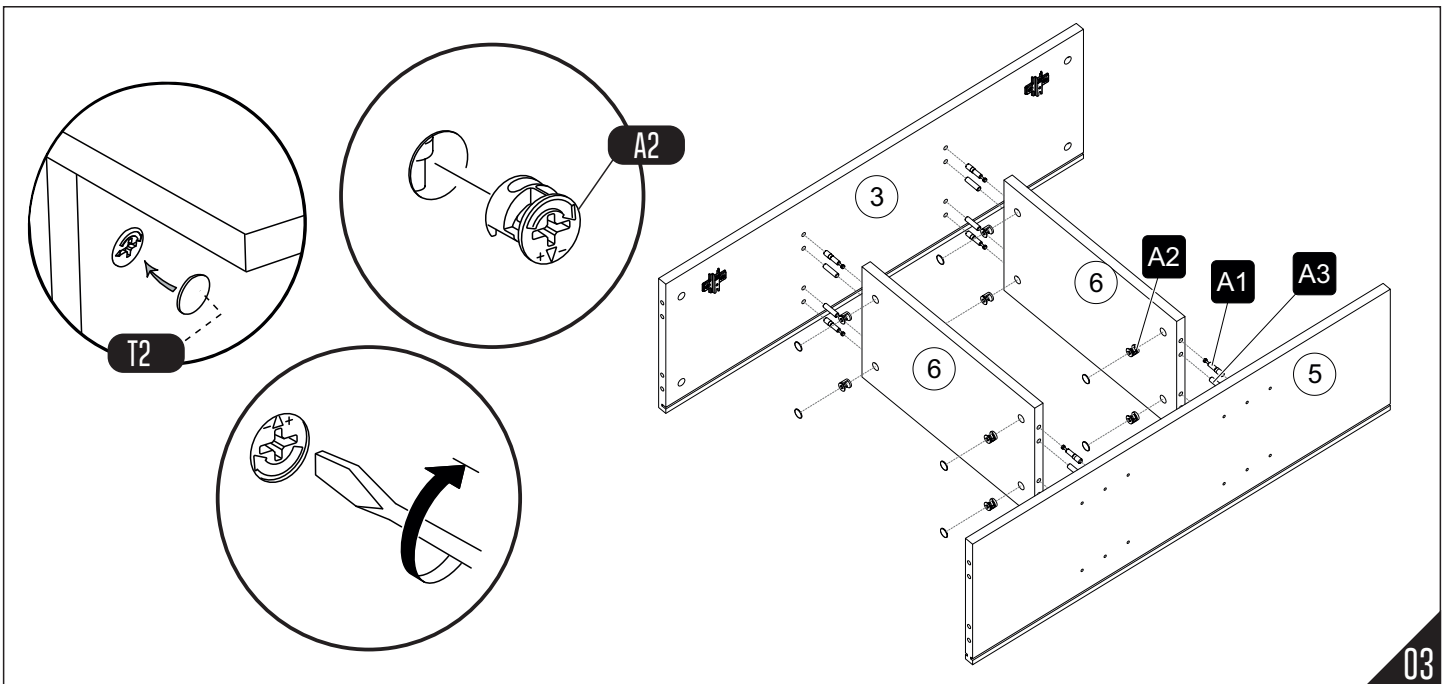
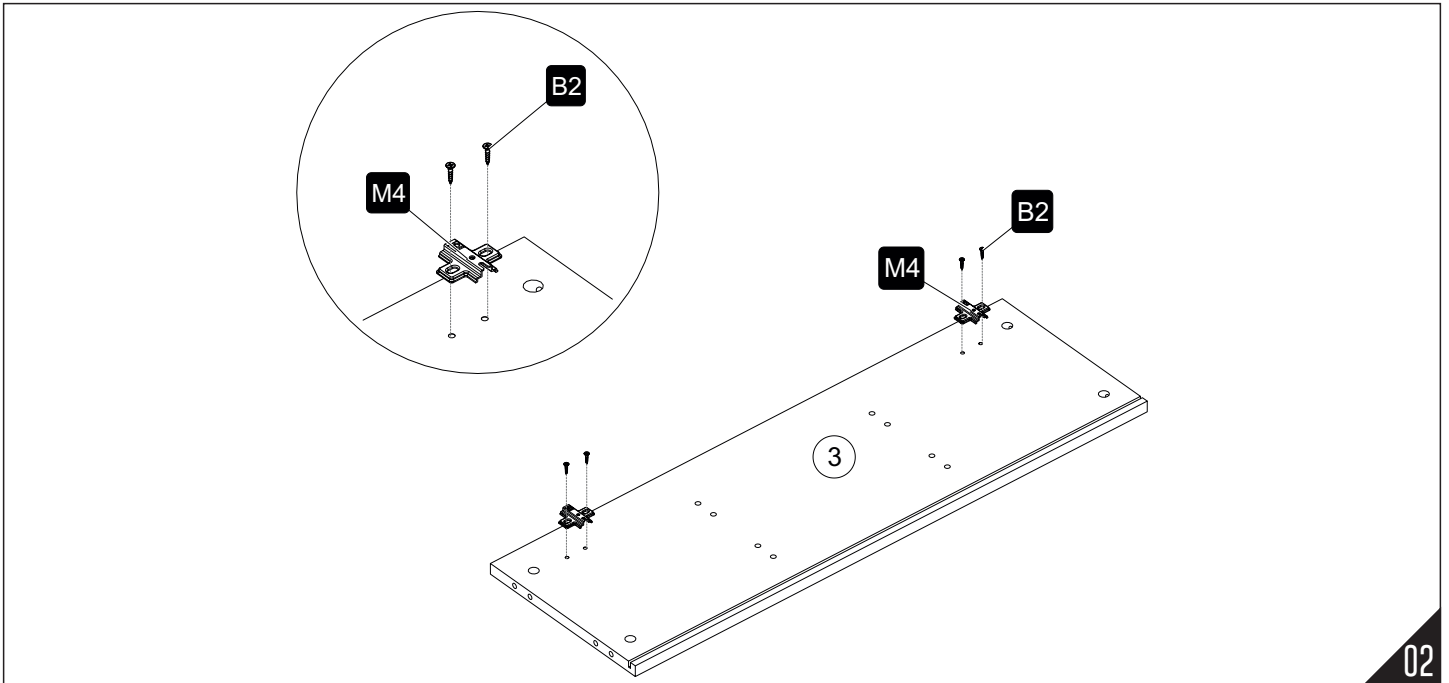
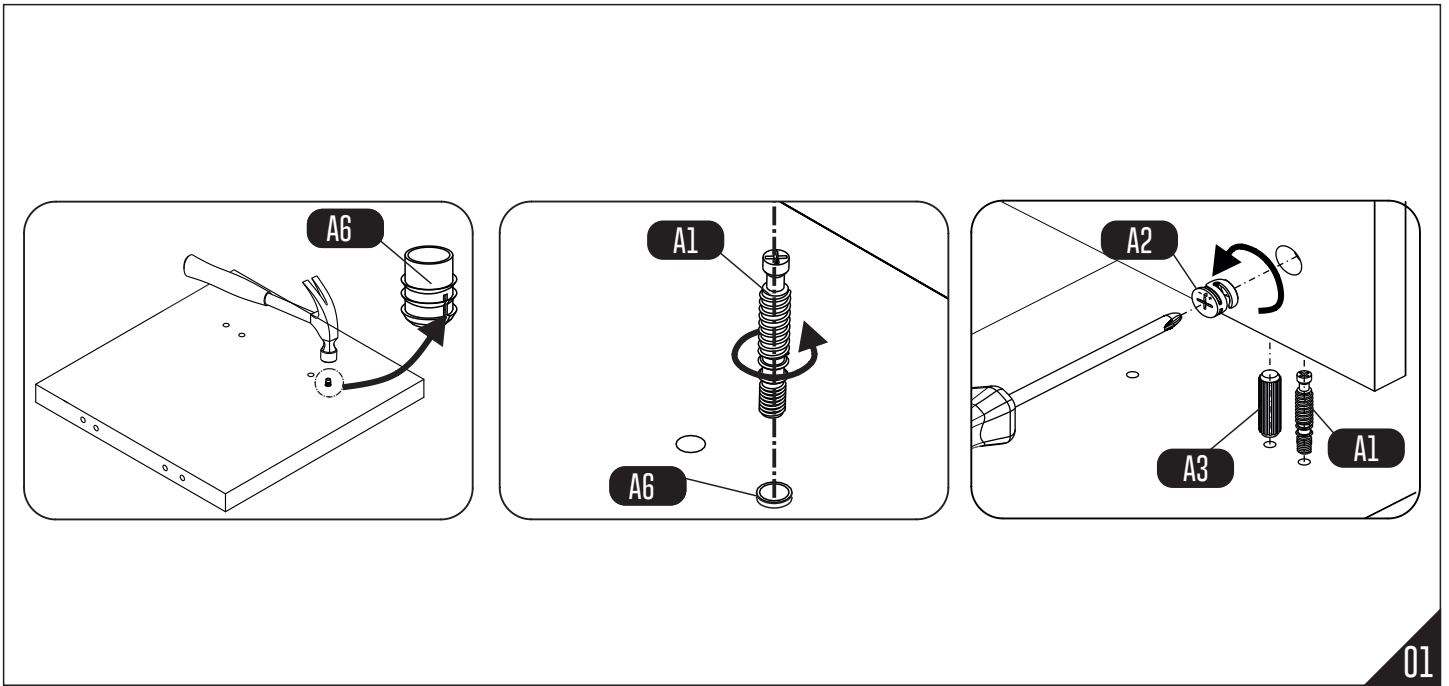
2) Depth adjustment: Loosen fixing 'A', push hinge arm forwards or backwards, retighten screw 'A', fix screw 'B' with a 1/4- turn in clock-wise direction.

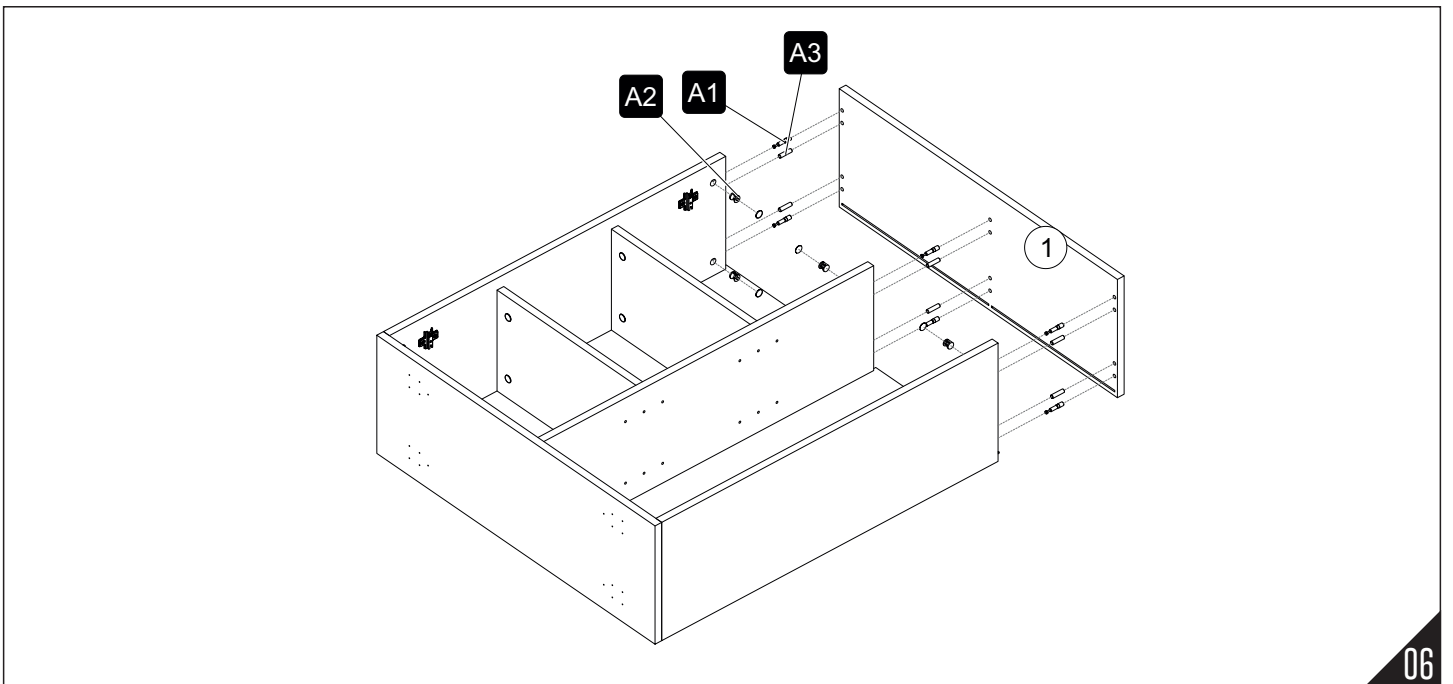
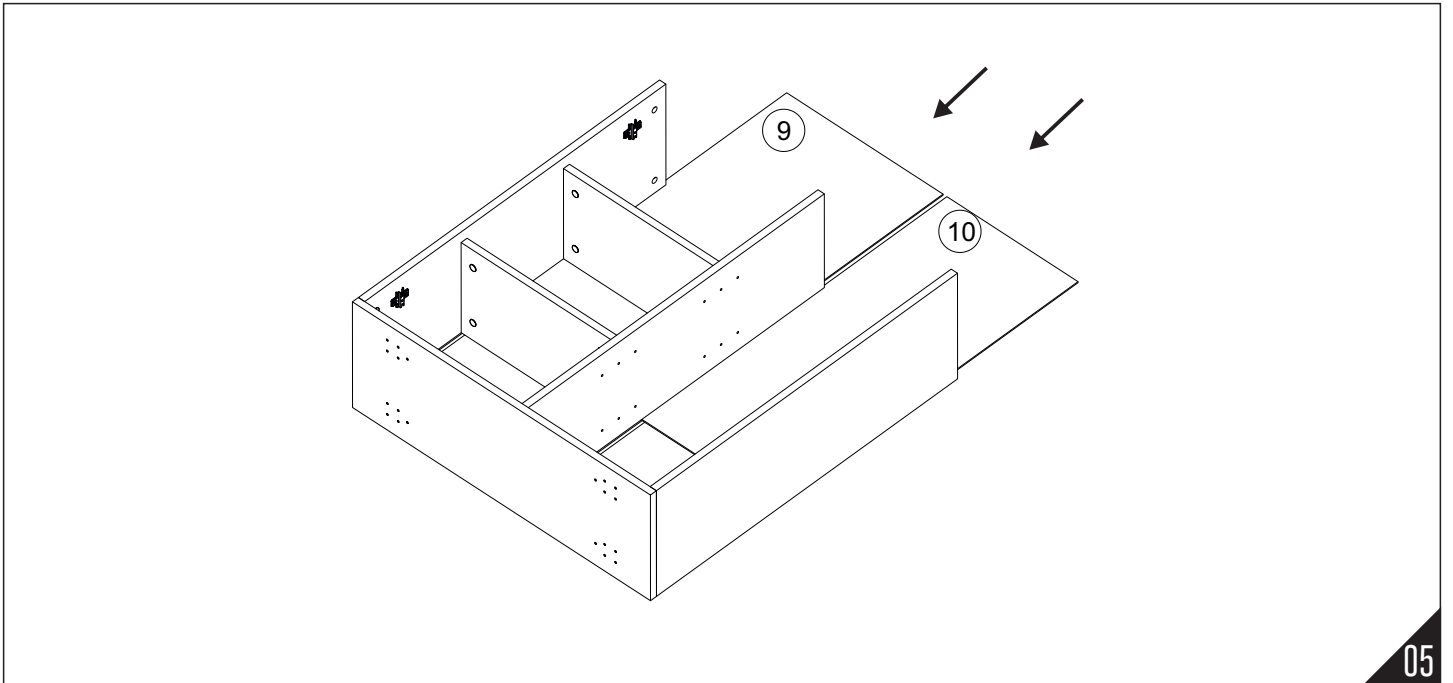
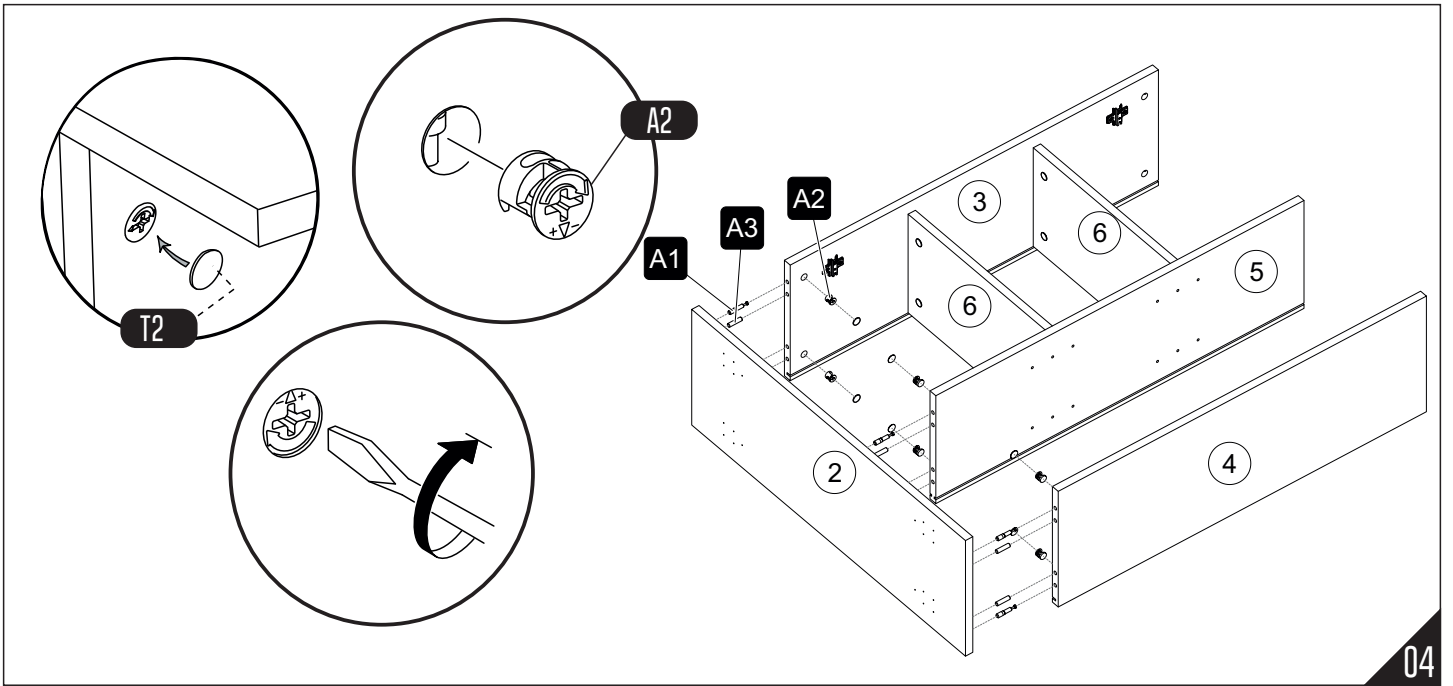
3) Height adjustment: Loosen screw 'C', adjust height, retighten screw 'C'.

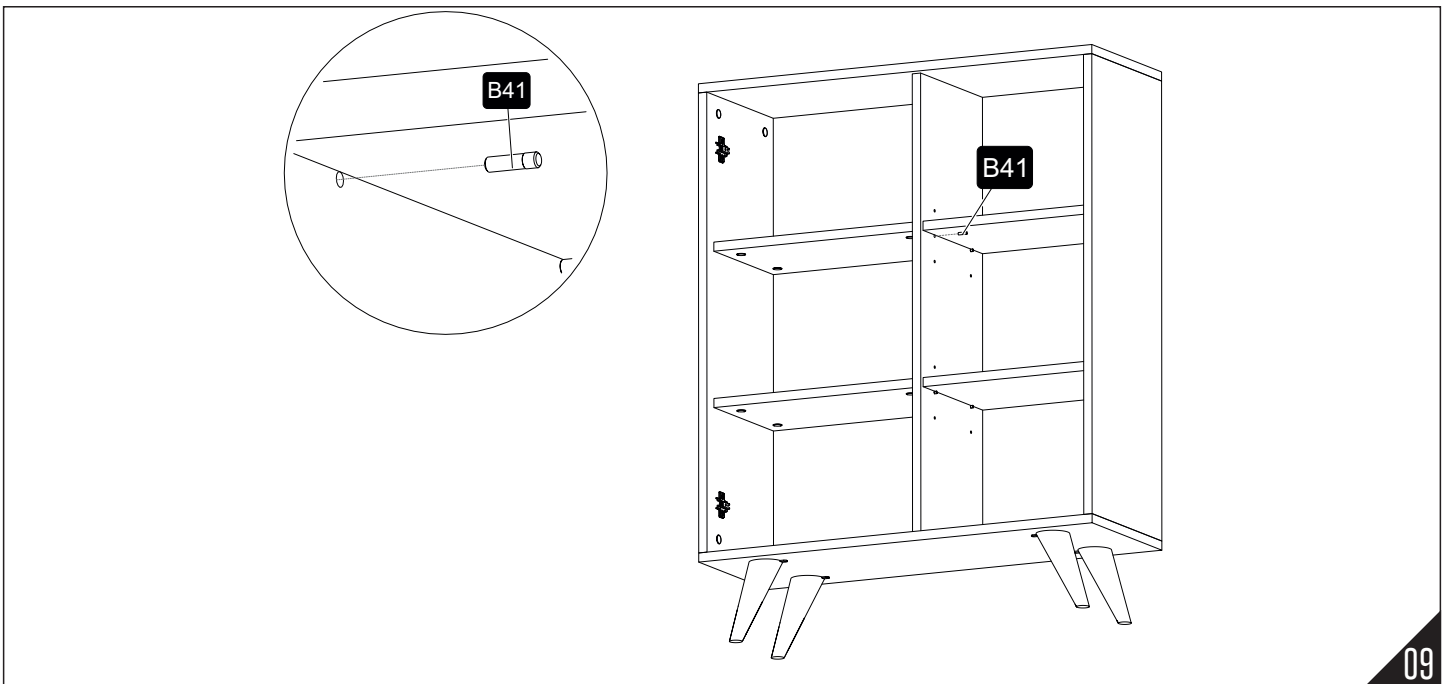
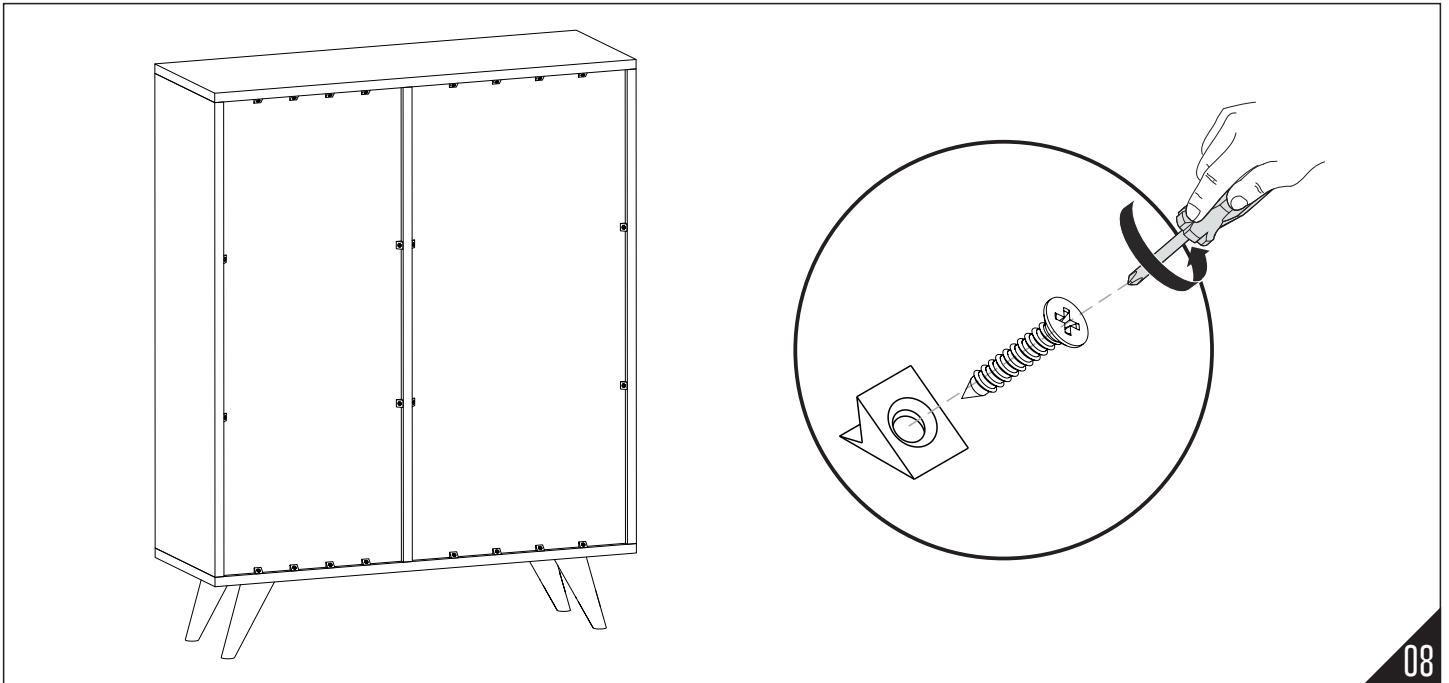
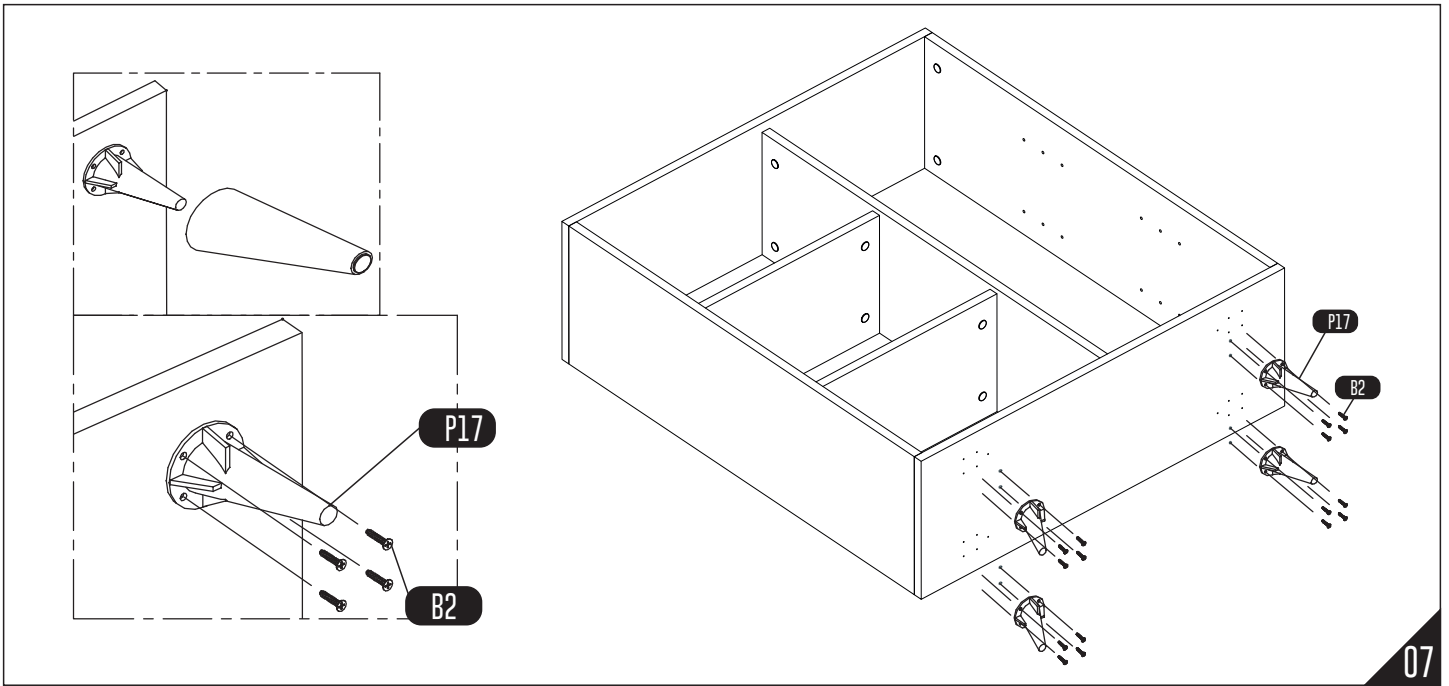
TOOLBOX

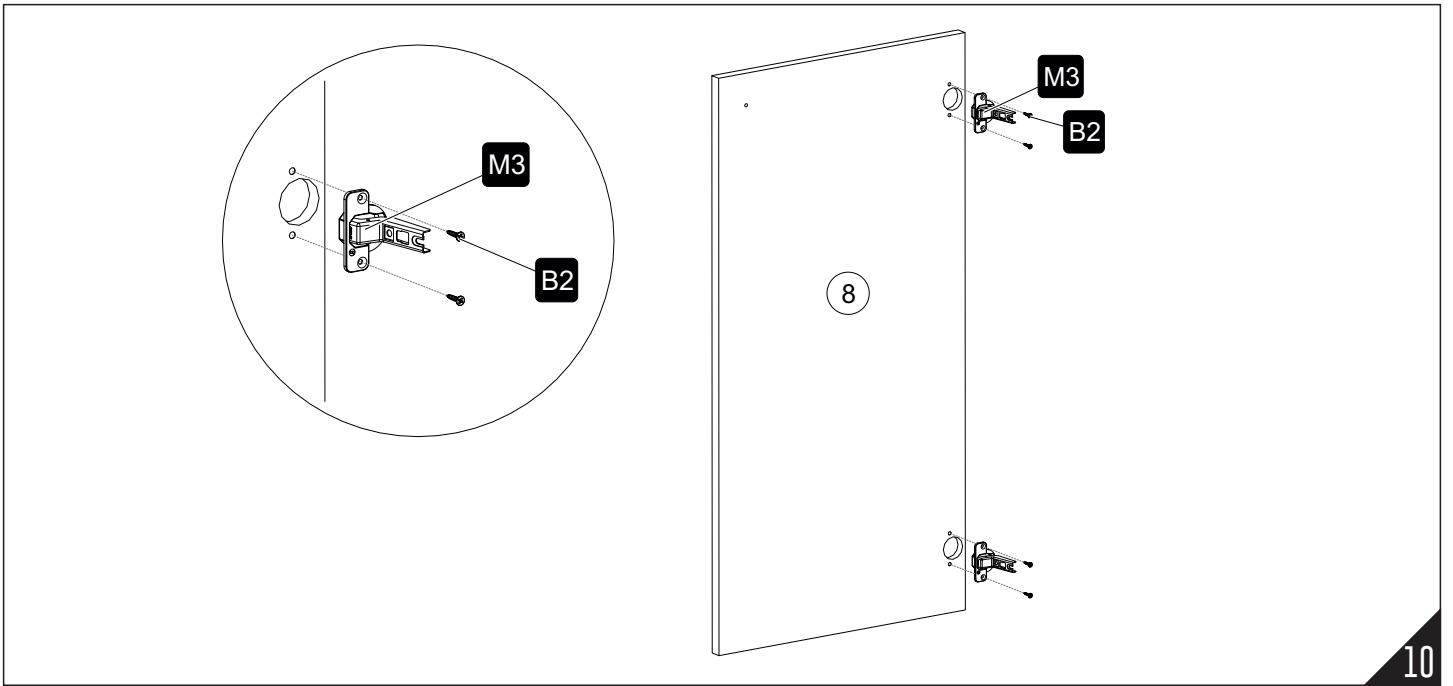


No	Adet
1	1
2	1
3	1
4	1
5	1
6	2
7	2
8	1
9	1
10	1

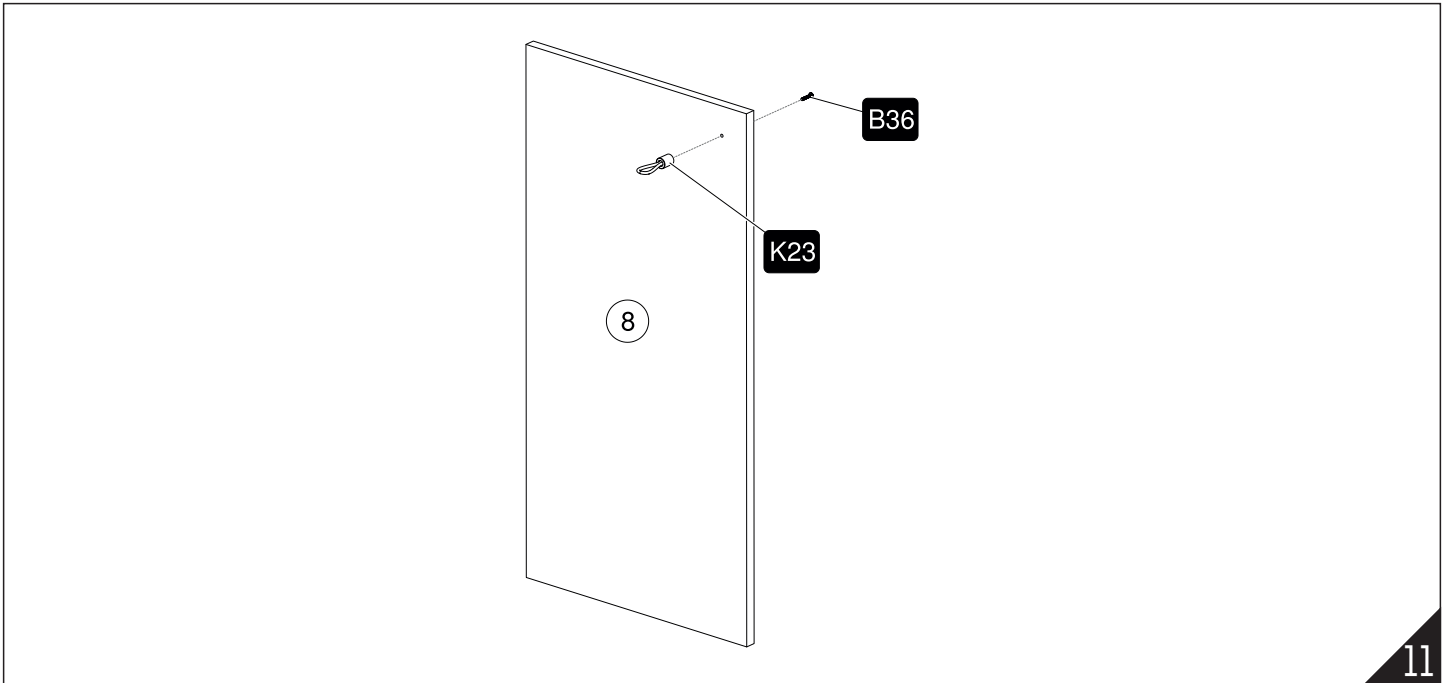




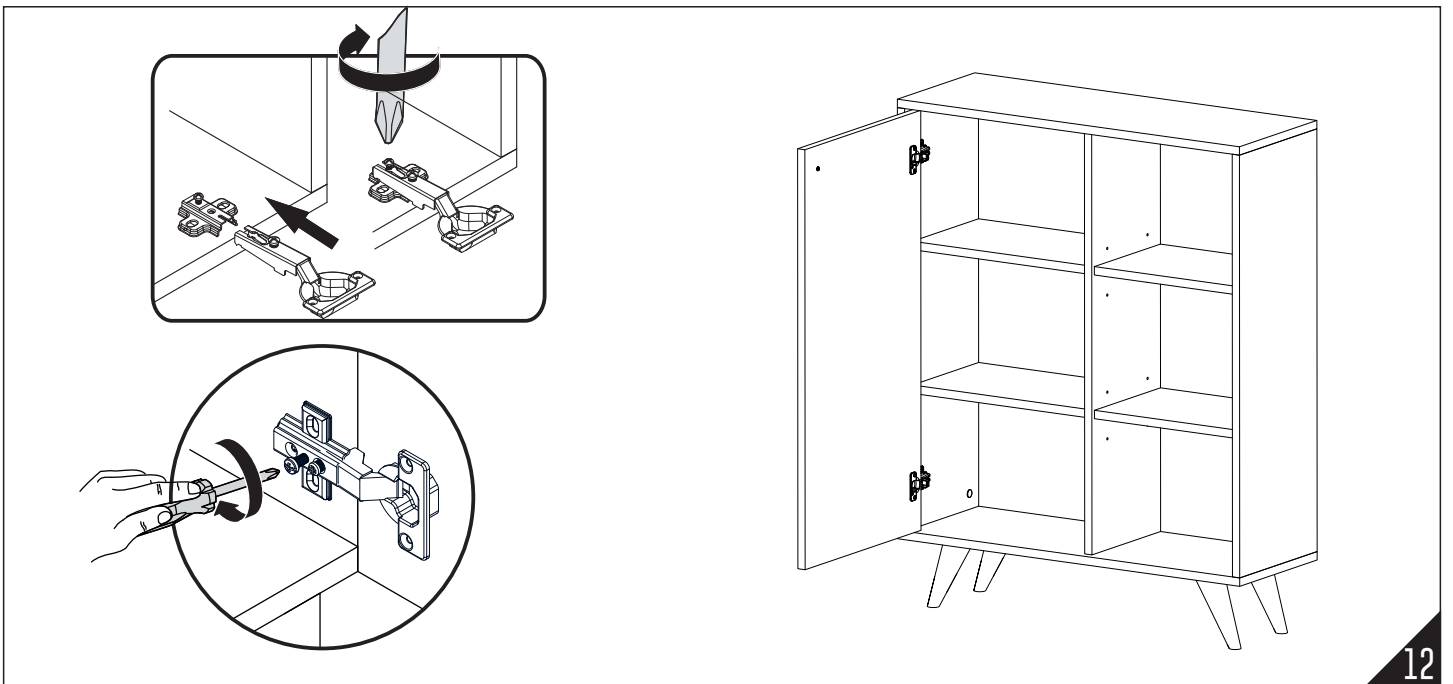




10



11



12

Complimenti
Tebrikler Grattis
 Congratulations поздравляю

تهانينا **Félicitations**

Gefeliciteerd Complimenti
 GLÜCKWUNSCHEN Grattis Parabéns
 FELICIDADES CONGRATULAZIONI

Tebrikler Tillykke 恭喜你
 поздравляю Felicidades

Grattis GLÜCKWUNSCHEN

Complimenti *Tebrikler*
 Tillykke Gefeliciteerd
 Congratulations FELICIDADES

تهانينا 恭喜你

