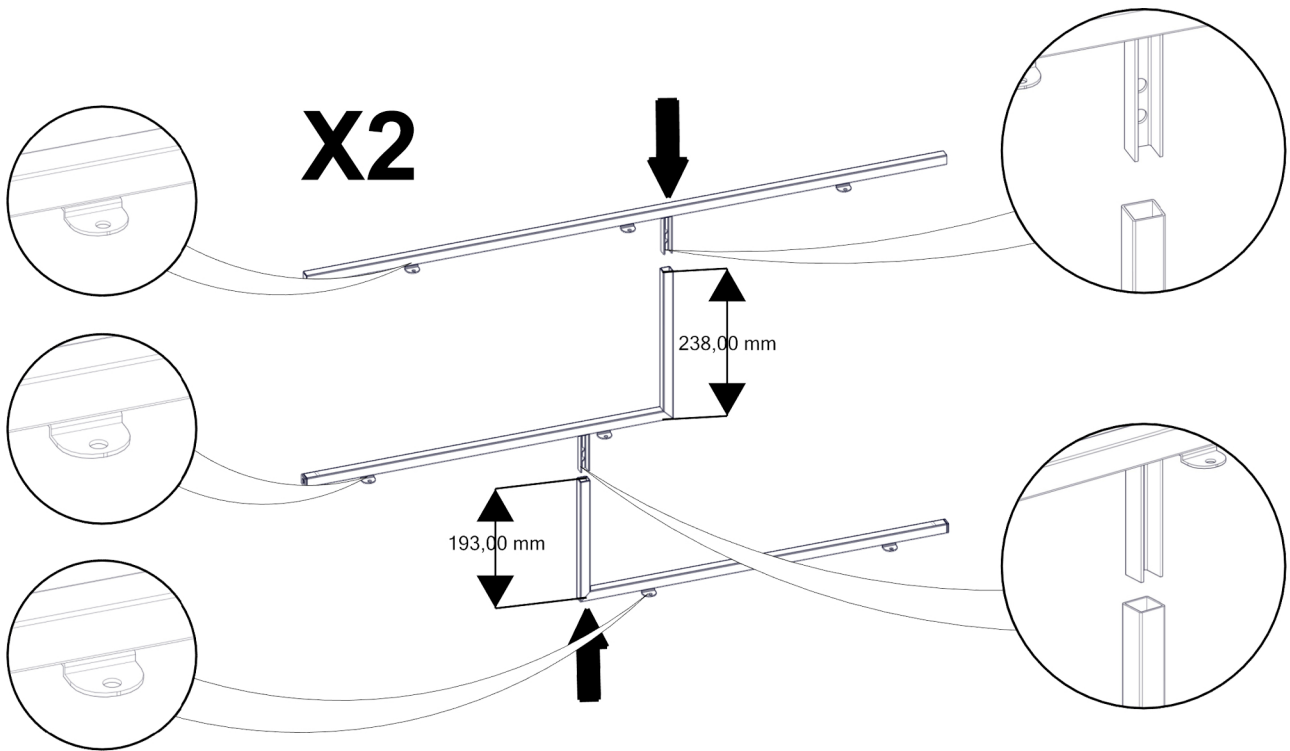


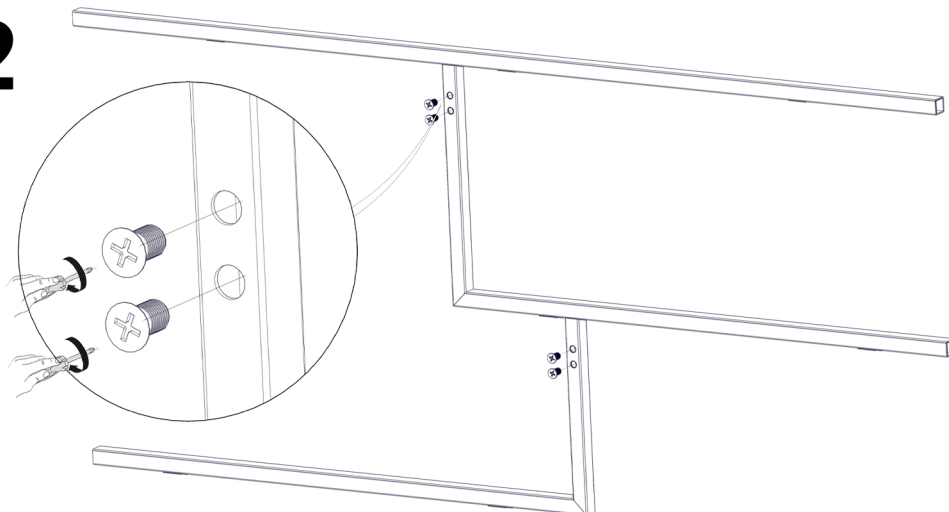
1



2

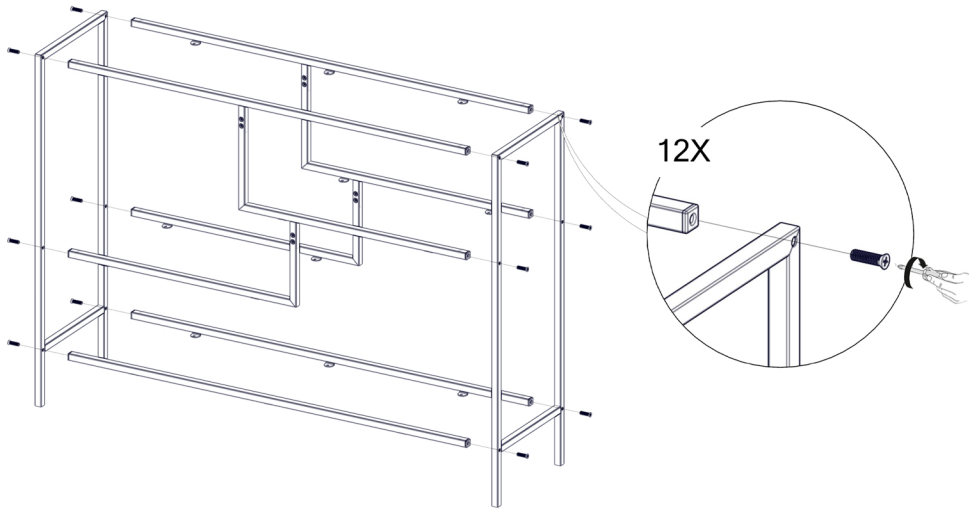
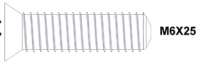


X2



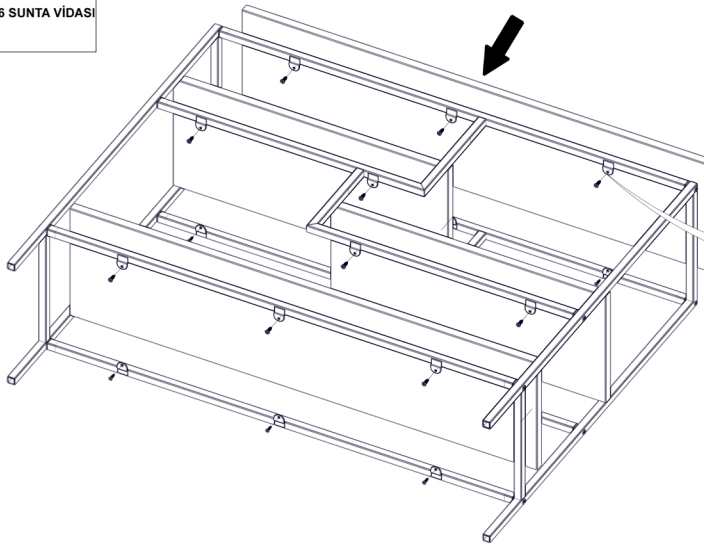
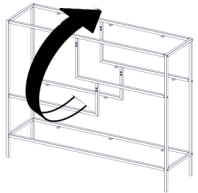
3

12X C



4

4X A



5

